



AGRICULTURAL MACHINERY

sitrex®



H90 CARTED RAKE

V 8-10-12

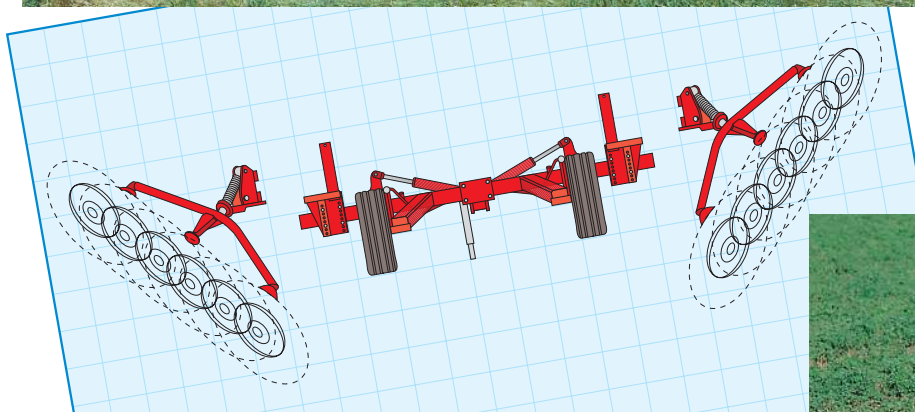
H90 **CARTED RAKE**

V 8-10-12



◀ Rake folds into transport position automatically when lifted by means of hydraulic cylinder supplied with the cart.

The H/90 V-8-10-12 unit is very simple to use and gives excellent working results. The various adjustments allow correct wheels' pressure on terrain. The oscillation of the rakes' main arms and of the wheel-holder small arms permit correct ground contact, even on undulating grounds. The hydraulic lift system controls the rakes lift from the tractor's cabin without any other adjustment. This permits good working performances both on quality and time required.



SPECIFICATIONS

| MODELS | H90-V8 | H90-V10 | H90-V12 |
|---------------|-------------------|-------------------|-------------------|
| Working width | 20' - 6,1 m | 23' - 7 m | 27' - 8,2 m |
| Weight | 1265 Lbs - 575 Kg | 1465 Lbs - 665 Kg | 1685 Lbs - 765 Kg |
| Tires | 195-65/15 | 195-70/15 | 195-70/15 |

SITREX S.p.A. reserves the right to make changes or add improvements at any time without notice. The information contained herein is general in nature and is not intended for specific application purposes.